



## **CTX-SERIES HAZARDOUS AREA EXPLOSION PROOF ANTENNAS**



- 900 MHz, 2.4 GHz & 5.0 GHz ISM Band, 802.11a,b,g,n Wi-Fi
- Dual band AMPS 824 ~ 896 MHz & PCS (GPRS) 1850 ~1990 MHz
- 1600 MHz Iridium Satellite
- UL listed & ATEX, IECEx certified
- Internal seal fitting
- Custom frequencies available
- TNC connector
- Mounting: ¾" NPT Explosion Proof Housing Hub or ¾" pipe and EP Conduit Union Fitting
- Rugged Nickel Plated Brass mounting base



*Class 1, Div 1,  
Zone1  
Groups, C & D*



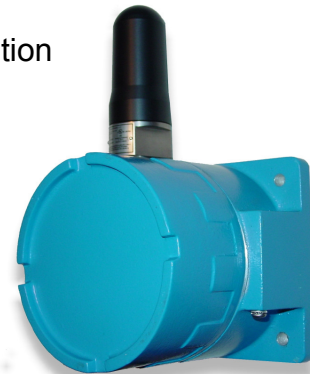
*ATEX  
ZONE 1*

*IECEx*

The CTX-Series of antennas are designed for use in "Hazardous-Classified" and Industrial-Hardened applications. The antennas are omni-directional with 2.0 dBi gain and designed for flexible mounting on a variety of explosion proof housings or on ¾" pipe with a ¾" NPT pipe thread. The mounting base is made of heavy nickel-plated brass with an integrated TNC coaxial connector for ease of installation. The radome is optimized for rugged industrial applications while maintaining maximum radio frequency transmission and reception efficiency. The antenna may be mounted up to 18" away from the enclosure within a hazardous location without an additional seal.

- Hazardous tank level monitoring
- Offshore platforms
- Chemical processing
- Power plants
- Utility systems where explosive gases may be present
- PCS, AMPS, GPRS, 802.11
- Wireless bridges
- Wireless Ethernet
- Hazardous area computers
- Patented design

Typical Installation



## CTX-SERIES



← **RUGGED INDUSTRIAL RADOME**

← **INTEGRAL FLAMEPROOF SEAL**

← **3/4" NPT THREAD**

← **TNC CONNECTOR**

### Specifications

Impedance: 50  $\Omega$

Gain: 2.0 dBi (CTX-1600-TF 2dBic @ Zenith)

Maximum power: 2 Watts

Connector type: TNC female (2.4 GHz has reverse polarity female TNC)


Mounting base: 3/4" NPT

Impact rating: 7 joules

Weight: 1.06 lbs., 0.48 kg

Maximum length including TNC connector: 5.85", 148.6mm, Max. diameter 2.02", 51.3mm

### Certifications

UL listed for the following locations: Class I Div 1, Groups C, D  $-40^{\circ}\text{C} \leq T_a \leq +85^{\circ}\text{C}$ , Class I Zone 1 AEx d IIB T5, Ex d IIB T5  $-40^{\circ}\text{C} \leq T_a \leq +85^{\circ}\text{C}$ . CE 0539  IICG Ex d IIB T5, DEMKO 08 ATEX 0727941X, IECEx (see documents 35105 and 35106 for safe installation)

### Ordering Information *(other frequencies available, contact factory for details)*

<u>Part Number</u>	<u>Frequency</u>
CTX-800-TF	Dual band 824-896 MHz & 1850-1990 MHz
CTX-801-TF	Dual band 801-940 MHz & 1901-2000 MHz
CTX-900-TF	915 MHz
CTX-1600-TF	1600 MHz (Iridium Satellite 1616MHz to 1626MHz)
CTX-2400-TR	2.4 GHz
CTX-2402-TR	Dual band 2.4 GHz & 5 GHz (802.11n)
CTX-5000-TF	5.0 GHz

Note: See CTM series for M20 mounting thread

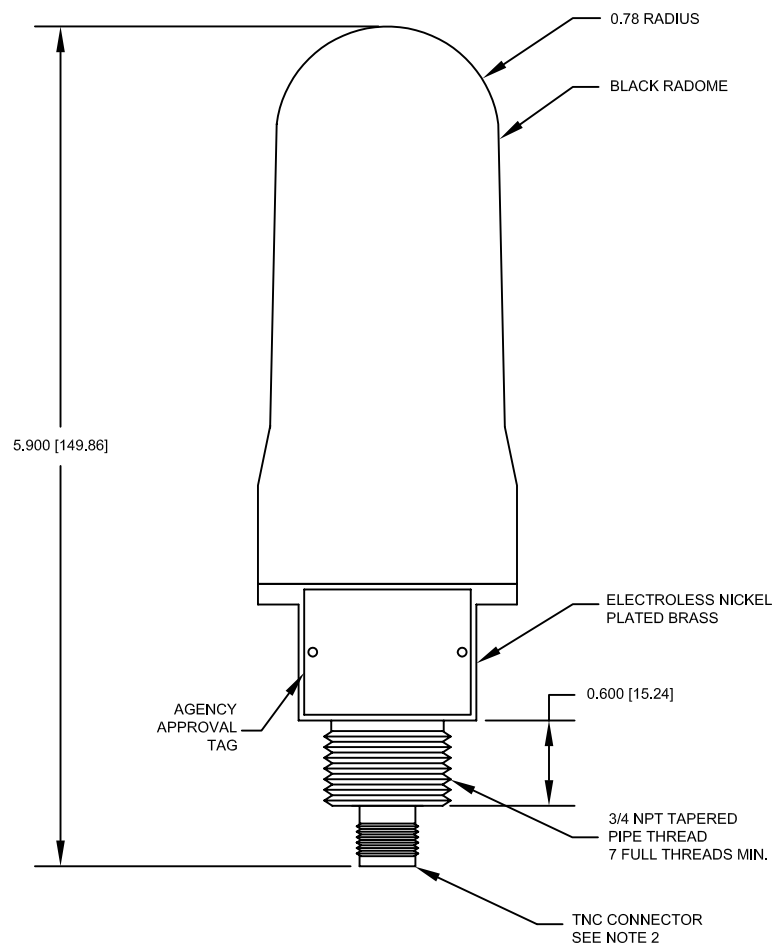


DWG. NO.  
**SD-B-0280A**

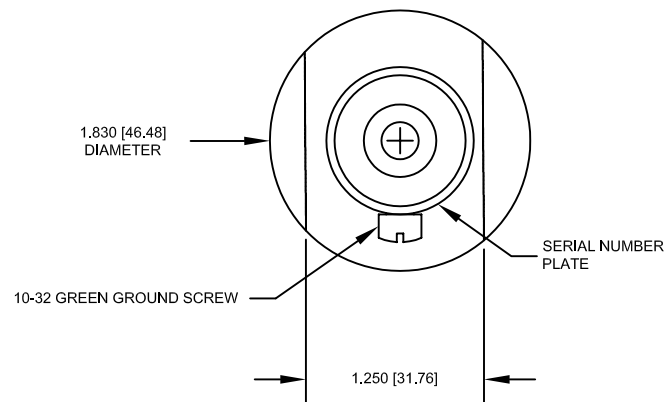
REVISIONS

A	PRODUCTION RELEASE 07/15/08 RML
---	------------------------------------

FRONT VIEW



BOTTOM VIEW



NOTES:

1. DIMENSIONS ARE IN INCHES [MILLIMETERS].
2. TNC FEMALE CONNECTOR, REVERSE POLARITY TNC FEMALE FOR 2.4 GHz ONLY.

QUOTE OR ORDER NUMBER			Analylnk Wireless, LLC 790 CROSS POINTE ROAD COLUMBUS, OHIO 43230		
Dimensions in inches unless otherwise specified			TITLE <b>HAZARDOUS AREA ANTENNA FOR CTX SERIES</b>		
DIMENSION TOLERANCES UNLESS OTHERWISE SPECIFIED					
BASIC DIMENSIONS	FRACTIONAL	DECIMAL			
UP TO 6	+/- 1/64	+/- .005			
OVER 6 TO 24	+/- 1/32	+/- .005			
OVER 24	+/- 1/16	+/- .010			
SCALE	DO NOT SCALE DRAWING WORK TO DIMENSIONS				
FULL					
DRAWN	RML	DATE	07/15/08		
CHECKED	JDR	DATE	07/15/08		
APPROVED	RML	DATE	07/15/08		
FILE NAME	SD-B-0280A.DWG		NEXT ASS'Y	DWG NO. <b>SD-B-0280A</b>	