

Model OPA640 Fixed Housing

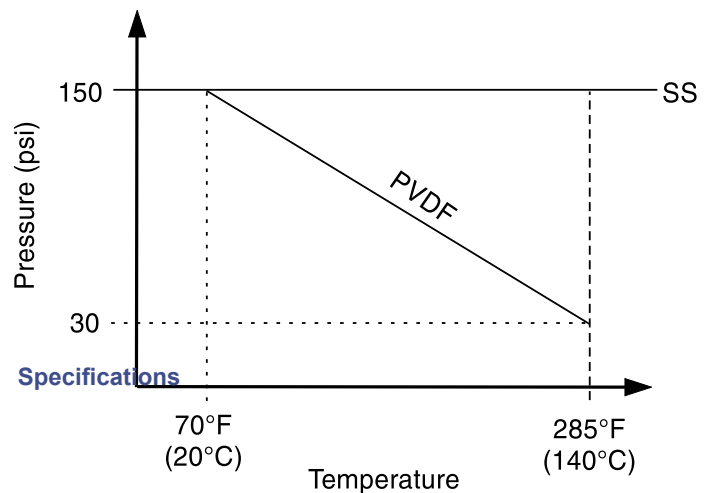


Process housing for 12mm x 120mm sensors

- Adapts standard 12mm x 120mm sensors with Pg13.5 threaded cap to 3/4" or 1" NPT process connection
- Constructed of chemically resistant Kynar™ (PVDF)
- Guard protects tip of sensor from damage during handling and harsh process conditions
- Replaceable Viton® O-rings

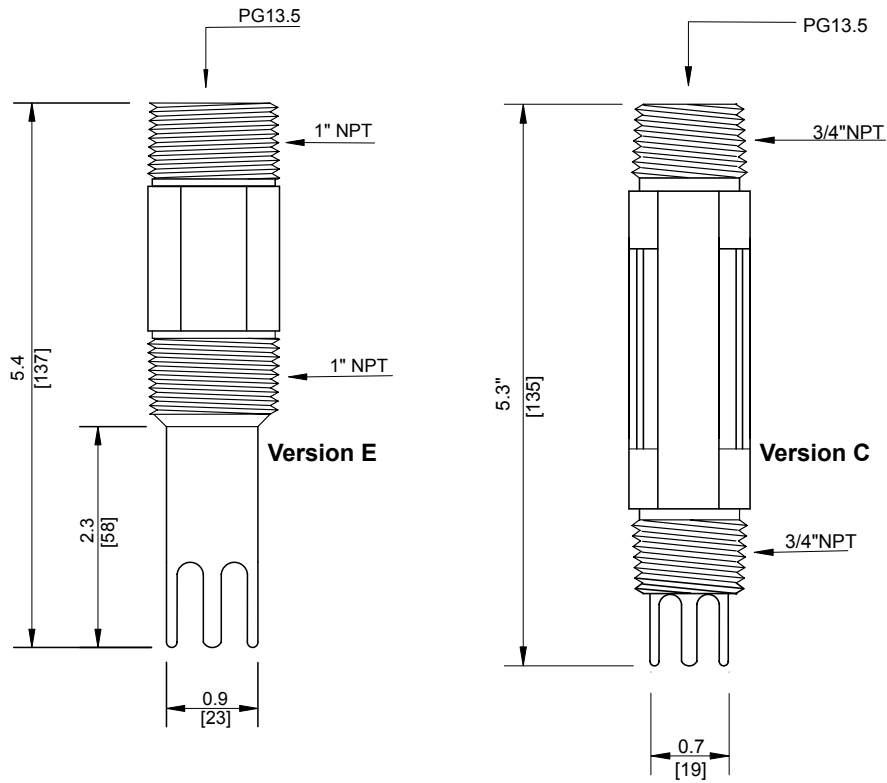
Specifications

Materials	PVDF body, Viton® Seal
Process connector	1" NPT thread, 3/4" NPT thread, PG 13.5 internal thread for connection of electrode
Maximum process temperature	21°C at 10 bar (70°F at 150 psig) to 140°C at 2 bar (285°F at 30psig) on a sliding scale



Temperature / Pressure Operating Curve

For installing pH and DO probes into process lines and tanks. Fits most standard probes



OPA640		1	1	(select from below for complete order code)
	Process Connection			
C	12mm to 3/4 " NPT adapter, PVDF, with Protective Guard			
E	12mm to 1 " NPT adapter, PVDF, with Protective Guard			
	Immersion Depth			
1	25mm / 1" (C version only)			
2	58mm / 2.3" (E version only)			

O Seal Kit

51507169 Viton®

Dimensions

Order Code

Accessories



Wedgewood Analytical, Inc.
 4123 East La Palma Avenue, Suite 200
 Anaheim, CA 92807
 Toll Free: 1-800-835-5474
 Direct: 1-714-577-5600
 Fax: 1-714-577-5688
www.WedgewoodAnalytical.com