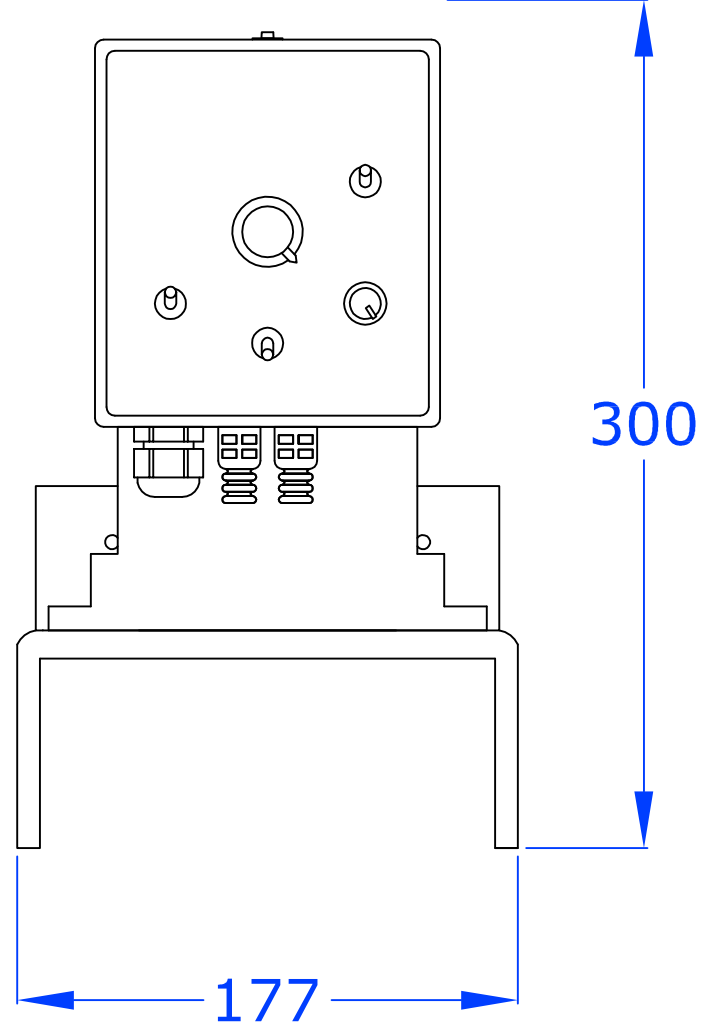


SIDE VIEW



FRONT VIEW



**Convergent  
Water  
Controls**

THIS DRAWING IS COPYRIGHT AND THE PROPERTY OF CONVERGENT WATER CONTROLS PTY LTD ABN 58 082 819 734. IT IS SUBJECT TO THEIR RECALL AND MAY NOT BE REPRODUCED OR ITS CONTENTS DIVULGED WITHOUT WRITTEN AUTHORITY.

Ver	Date	Notes	By	Check
1.0	23/08/10	ORIGINAL	LF	LN

Filename	W\FILENAME
----------	------------

Drawn By	LF	Date	23/08/10
Checked By	LN	Date	23/08/10
Scale	N/A		
DIMENSIONS ARE IN MM DO NOT SCALE			

Title		DIMENSIONAL DRAWING	
Project / Part Number		EMEC C Series on EMEC STC FRONT	
Client		CONVERGENT WATER CONTROLS	
Drawing No		DRAWING NO	
Ver		1.0	