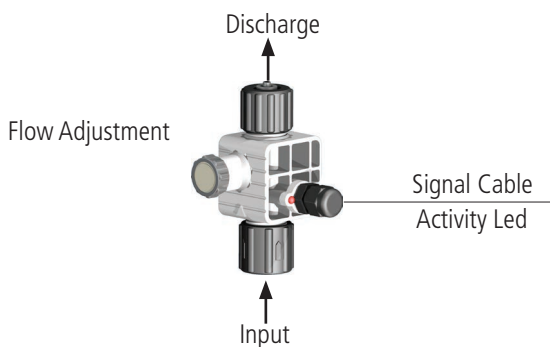
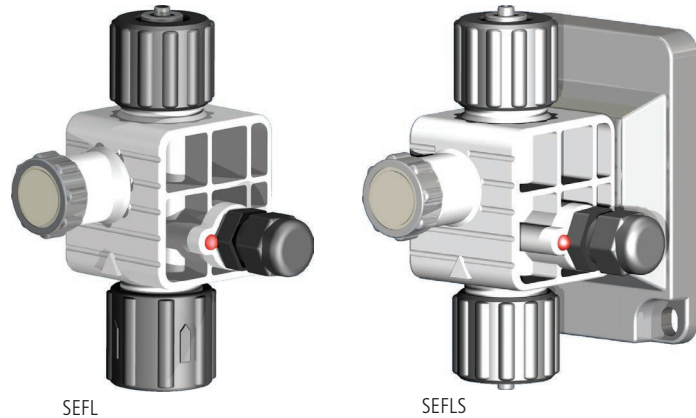


## FEATURES

- PVDF body
- N.C. contact
- Adjustable sensitivity
- Viton® or EPDM O-ring
- Max 45°C / 25 bar
- Activity LED on board

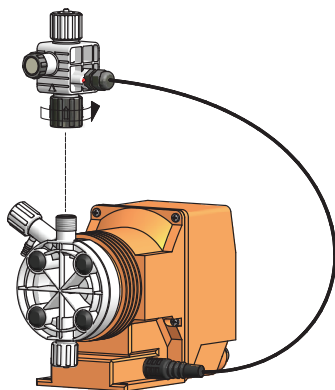
SEFL is a flow sensor device made for checking if the connected dosing pump is working properly by checking if a liquid is flowing through the pump's head. It has a control knob to regulate sensibility for every kind of pump.

Viton® is a DuPont Dow Elastomers registered trademark.



## INSTALLATION

SEFL  
(fittings for installation on  
the pump)



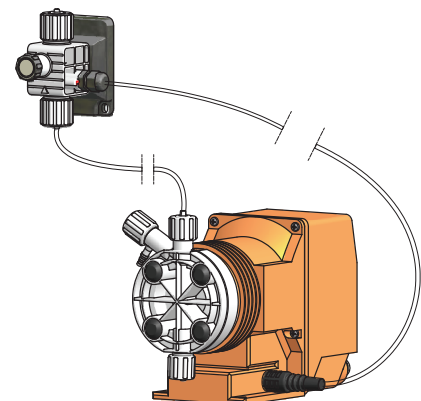
1. Install SEFL connecting it to the pump head discharge connection. Take out the discharge connection tube nut and screw the SEFL connection onto the discharge.

2. Install the discharge hose on the discharge point of SEFL (top) locking it tight.

3. Carry out the electrical wiring connecting the SEFL to the MF pump or any other pump with sefl input. Working mode is a continuous ON/OFF contact.

4. Set flow adjustment so that activity led blinks every time the pump makes one stroke.

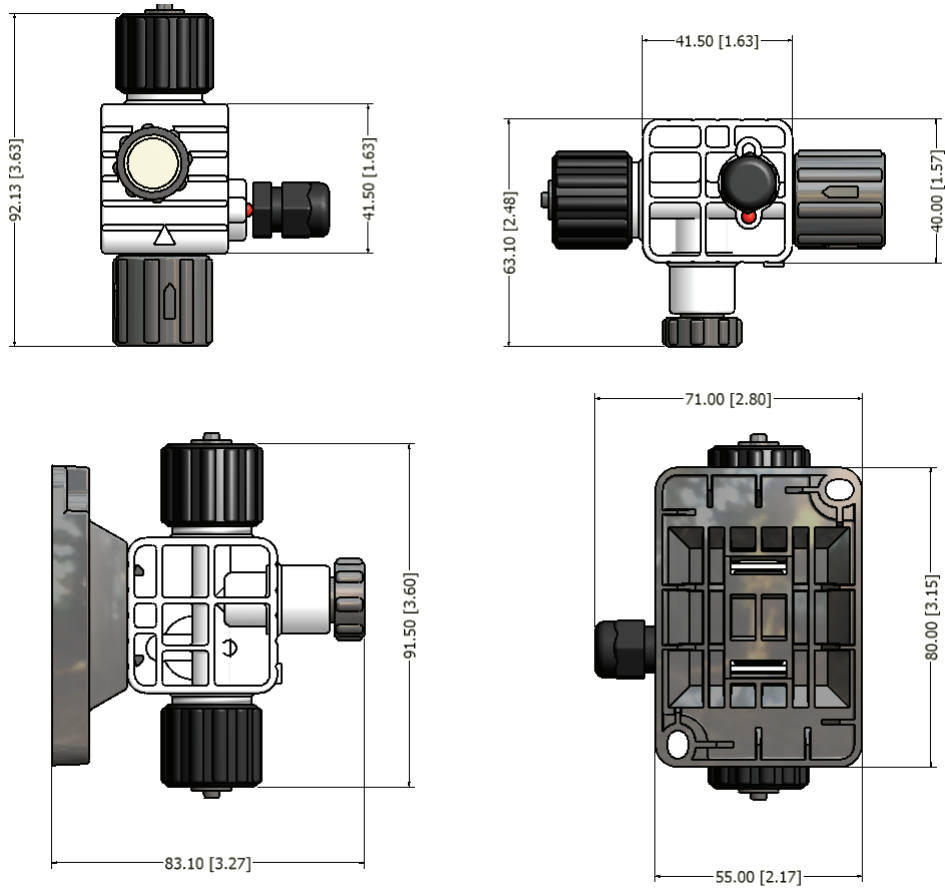
SEFLS  
(bracket version. Hose fitting kit)



# "SEFL" - FLOW SENSOR

# Data Sheet

## DIMENSIONS



Dimensions: mm - [inches]

	BODY	FITINGS	VALVES	O-RING	FLOATER	FLOW KNOB	CABLE
SEFL/D	PVDF	1/2" - 3/8"	PVDF	EPDM	PTFE	PVDF	PE
SEFL/V	PVDF	1/2" - 3/8"	PVDF	VITON	PTFE	PVDF	PE
SEFLS/D	PVDF	1/2"	PVDF	EPDM	PTFE	PVDF	PE
SEFLS/V	PVDF	1/2"	PVDF	VITON	PTFE	PVDF	PE

CONNECTION	
0	Without
1	3/8" x PP
2	3/8" x PVDF
3	1/2" x PP
4	1/2" x PVDF

O-RING	
V	Viton *
D	EP
W	WAX

MODELS	
SEFL	Flow sensor
SEFLS	Flow sensor + bracket

FITTINGS	
1	1/2" 4X8
2	1/2 3/8"
3	1/2" 4X6
4	1/2" 6X8
5	1/2" 8X12
6	1/2" 1/4"
7	1/2" 1/2"
9	1/2" 12X16

CONNECTOR	
0	Without
1	BNC
2	4-poles connector

LED	
S	YES
N	NO

PUMP FLOW	
A	≥ 4
B	< 4
C	For low viscosity pumps

CABLE LENGTH

Model **SEFLS V 0 3 001 0 S A**

\* Viton® is a registered trademark of DuPont Dow Elastomers.