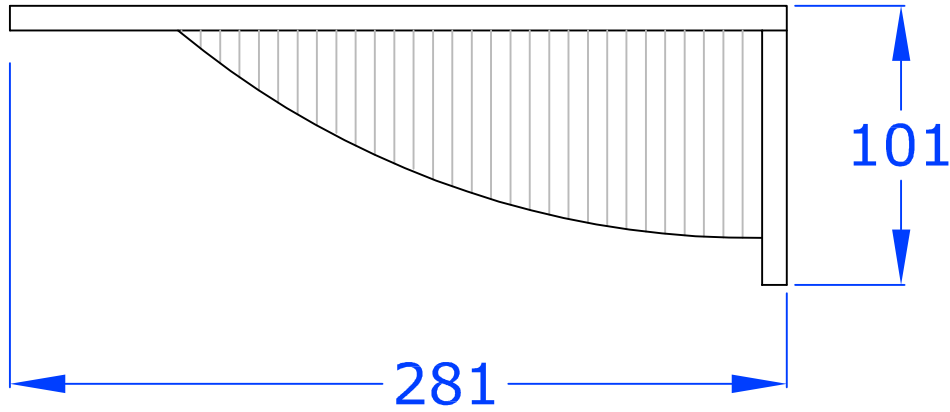
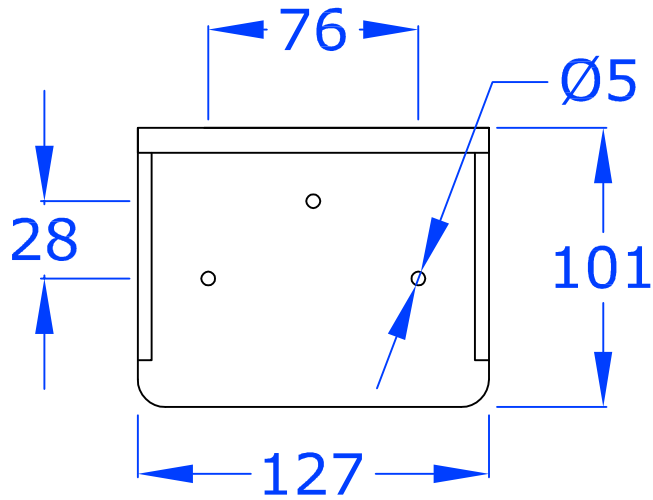
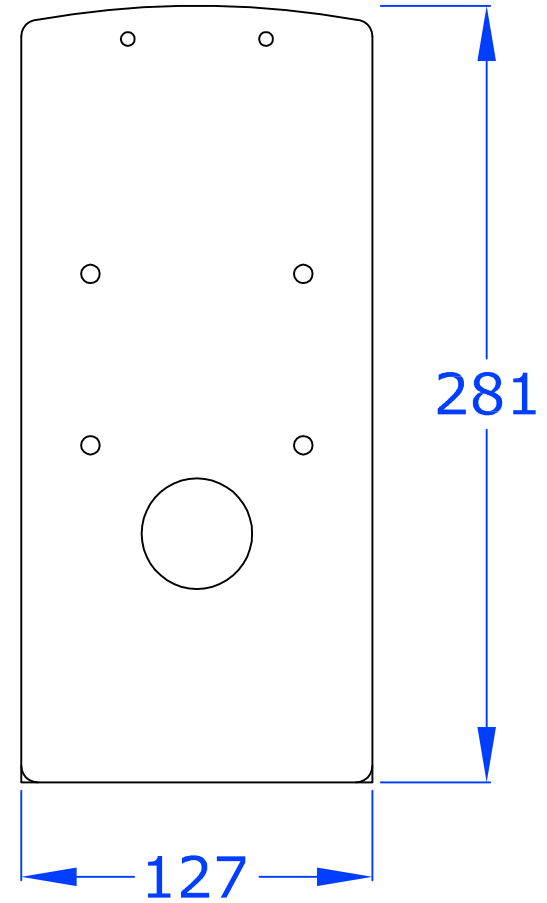


SIDE VIEW



TOP VIEW



FRONT VIEW



Convergent Water Controls

THIS DRAWING IS COPYRIGHT AND THE PROPERTY OF CONVERGENT WATER CONTROLS PTY LTD ABN 58 082 819 734. IT IS SUBJECT TO THEIR RECALL AND MAY NOT BE REPRODUCED OR ITS CONTENTS DIVULGED WITHOUT WRITTEN AUTHORITY.

Ver	Date	Notes	By	Check
1.0	20/09/12	ORIGINAL	LF	LN

Filename
S:\Data Files\Product Files\Pumps EMEC\Assembly\Mounting brackets

Drawn By	Date
LF	20/09/12
Checked By	Date
LN	20/09/12
Scale	N/A
DIMENSIONS ARE IN MM DO NOT SCALE	

Title		DIMENSIONAL DRAWING	
Project / Part Number		EMEC STKN	
Client		CONVERGENT WATER CONTROLS	
Drawing No		DRAWING NO	
Ver		1.0	