

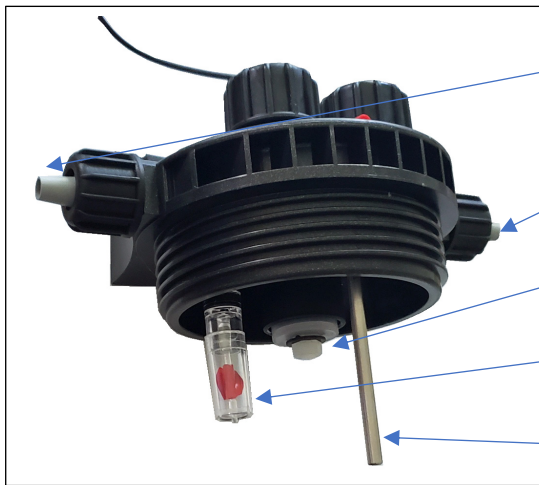
EMEC NPED Sensor Holder / Flow Bowl Parts



Flow switch cable, normally closed with 2 x lead wires (NPED4 only)

1/2" or 3/8" Hose connection kit
Fits onto 1/2" MNPT thread

Transparent bowl with seal. Screws onto head. (Black bowl optional)



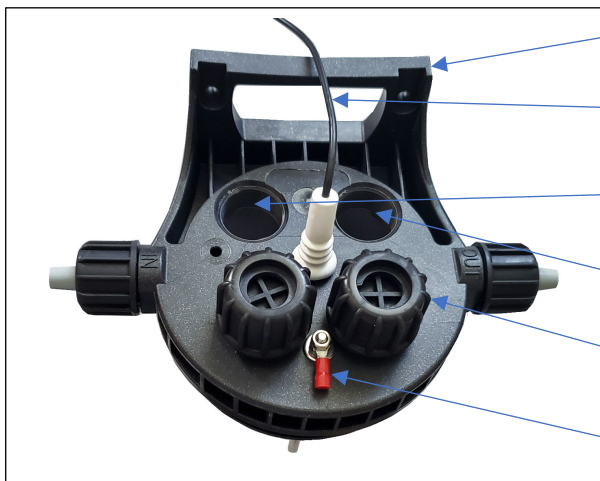
Inlet side (for 3/8" or 1/2" tube)

Outlet side (for 3/8" or 1/2" tube)

Float for flow switch (NPED4 only)

Rotameter for visual flow indication

Ground rod



Molded mounting (5mm diam holes)

Flow switch cable (NPED4 only)

Additional 3/4" MNPT port (NPED4 only)

3/4" MNPT Sensor port (can reduce to 1/2")

12mm Sensor holder (shown with plug)

Ground wiring lug, connected to ground rod